

IMPORTANT: READ BEFORE USING

1. Description

Polypropylene Rotary Drum Pump is designed for transferring AdBlue®, organic acids, organic alcohols, detergents, screen cleaners and other water soluble inorganic chemicals. For exact media resistance see stability list.

Supply with 2" bung adapter and a 3-piece PP suction tube to fit most 15, 30 and 55 gallon drums.

2. Technical data

Pump Type	Rotary - Vane
Flow	8 oz / Stroke
Maximum Fluid Temperature	130°F / 54°C
Bung Adapter	2" Male
Suction Tube Length	40" Maximum
Inlet	1-¼" O.D.
Outlet	1" O.D. Curved Spout
Wetted Materials of Construction	PP, PVDF & Phenolic
Maximum Viscosity	2,000 SSU



3. General Safety Information

Always carefully read, thoroughly understand and follow the pump operating instructions. Use this pump correctly and with care for the purpose for which it is intended. Failure to do may cause damage or personal injury, and will invalidate the warranty. Retain instructions for future reference.

Contact your chemical or fluid supplier to check for compatibility with pump prior to installation and operation.

Prior to use, always carefully and thoroughly read and understand the OSHA information contained in the Safety Data Sheet supplied for the chemical which is to be pumped.

Wear protective clothing (goggles, face masks, long sleeves, long pants, gloves, aprons, etc.) as set forth in the OSHA Safety Data Sheet when pumping any hazardous chemicals.

When using flammable liquids, pump containers should be grounded to avoid static electricity.

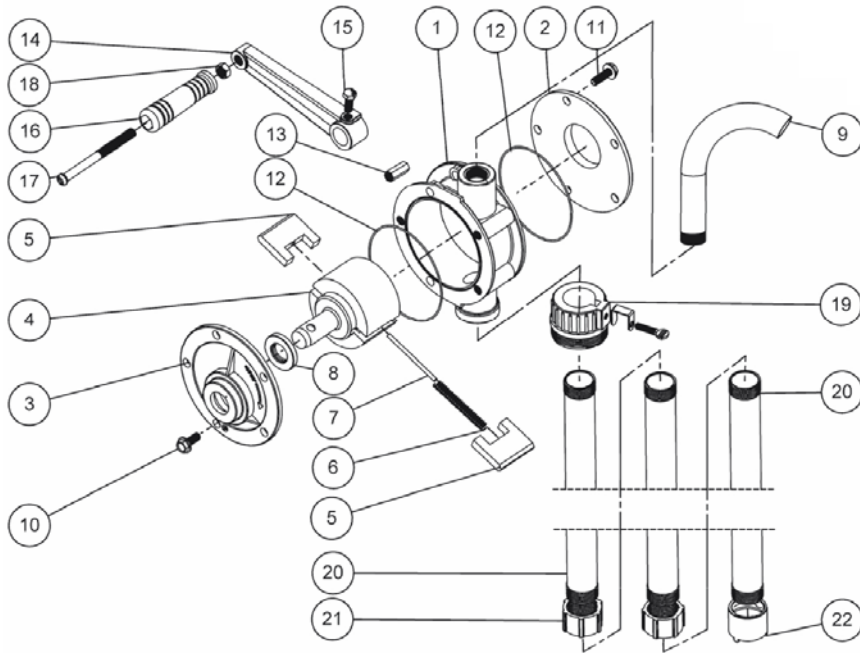
Any pump used for transferring flammable liquids must be stored in a ventilated area after use.

Pump should be washed out before it is used since processing lubricants may contaminate the fluids.

Prior to use, inspect your pump thoroughly verifying its proper assembly.

If pump is removed from drum, it should be thoroughly rinsed in a liquid that is compatible with both the pump and fluid.

4. Repair Parts Illustration



Repair Parts List

Ref No.	Qty	Description
1	1	Pump Body
2	1	Rear Cover
3	1	Front Cover
4	1	Rotor
5	2	Vane
6	1	Spring
7	1	Spring Rod
8	1	Lip Seal
9	1	Discharge Spout
10	4	Cap Screw
11	6	Cap Screw
12	2	O-Ring
13	2	Hex Bridge
14	1	Crank Arm
15	1	Set Screw
16	1	Handle
17	1	Handle Shaft
18	1	Hex Nut
19	1	Bung Adapter
20	3	Suction Tube
21	2	Connector
22	1	Suction Filter

5. Assembly and Installation

Check to see if all parts are included.

Screw discharge spout (Ref No. 9) into pump body (Ref No. 1) outlet using PTFE sealant tape provided. Do not use pipe sealant.

In order to avoid leakage, please use PTFE sealant tape provided to seal three suction tubes (Ref No. 20) with two tube connectors (Ref No. 21).

Insert the bung adapter (Ref No. 19) into suction tube assembled then screw suction tubes assembled into pump inlet.

Insert handle shaft (Ref No. 17) through handle (Ref No. 16). Turn the hex nut (Ref No. 18) onto handle shaft until handle rotates freely.

Screw handle assembled to crank arm (Ref No. 14). Keep handle shaft from turning. Tighten hex nut (Ref No. 18) against crank arm. Then insert crank arm assembly onto rotor (Ref No. 4), taking care to align set screw (Ref No. 15) to indent in rotor shaft.

Insert pump assembled into drum and hand tighten the fixed screw (Ref No. 19). Be sure to set pump and suction tube assembled so that the suction tube is at the desired depth in the drum and is not blocked.

6. Operation

Rotate handle clockwise several times to prime. If unit does not prime after a few turns, pour some fluid into pump inlet may help free pump.

For siphoning, position handle straight down.

To stop siphoning, rotate handle 1/4 turn (leave handle in horizontal position).

After using pump, position handle straight down, liquid will drain back to container.

If pump is removed from drum, rinse it thoroughly in a liquid that is compatible with both the pump and the fluid being pumped.

Regularly check pump and suction tubes for leaks. Leaks in the suction line or in pump housing will cause inefficient pumping and loss of prime.

Pressol Schmiergeräte GmbH

Parkstraße 7

93167 Falkenstein | Germany

Tel. +49 9462 17-0

Fax +49 9462 17-208

info@pressol.com

www.pressol.com